

Independent Doors Brio Wardrobe Sliders

Independent Doors has provided this declaration to satisfy the provisions of Schedule 1(d) of the building (Building Product Information Requirements) Regulations 2022.

In accordance with Regulations 8, Independent Doors confirm that the information supplied as well as the company's own processes and is therefore to the best of our knowledge, correct.

Independent Doors confirm Brio Wardrobe Sliders, as referred to in this statement, is not subject to a warning or ban under s26 of the Building Act.

Designated building product: Class 2



TECHNICAL STATEMENT:

The Brio Wardrobe Sliders are a technically advanced sliding door hardware system designed for a range of applications, including wardrobes and built-in furniture.

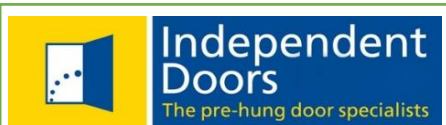
PRODUCT DESCRIPTION:

The Brio Wardrobe Sliders are the perfect choice for sliding MDF or timber panels in various applications, including wardrobe and built-in furniture, where a smooth operation is essential.



- **Double Run System:**
 - Designed for bi-passing panels, the Brio system incorporates clear anodized or powder-coated white aluminium and bottom roller for outstanding performance.
- **Streamlined Designed:**
 - The Brio System boasts a clean line profile on a double head guide and sill, providing a discreet framing system.
- **Option Soft Close:**
 - For added convenience and safety, the Brio Wardrobe Sliders can be equipped with a soft close feature. Soft Closes gently stop the panels, preventing noisy and abrupt door closures,

The Brio Wardrobe Sliders offer a versatile solution for your sliding panel needs, smooth operation, adjustability, and an option for gentle soft-close mechanism. Upgrade your interior with Brio Wardrobe Sliders for a sophisticated and functional sliding system.

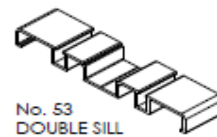


Company Contact Details

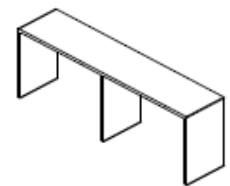
Physical Address:	57 Waterloo Rd, Hornby, 8042
Postal Address:	P.O. Box 13086 Hornby
Telephone:	03 384 1113
Fax:	03 384 2277
Email:	info@iddoors.co.nz
Website:	www.iddoors.co.nz

The principal constituents comprising of the Brio Wardrobe assembly:

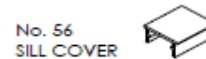
Double Sill	No 56
Material	Aluminium
Finish	Clear anodised or powder coat white
Standard Length	4880mm
Sill Cover: No 56	
Material	Aluminium
Finish	Clear anodised or powder coat white
Standard Length	4880mm
Sill Cover Clip: No 53C	
Black POM, supplied as a pack of 8 with pan head screws	
Double Head Guide: No 55	
Material	Aluminium
Finish	Clear anodised or powder coat white
Standard Length	4880mm
Rollers (2 per panel) No 50WR	
Mild steel, zinc plated housing with end adjustment. Precision bearing with nylon tyre provides a smooth and quiet action.	
Guides (2 per panel) No 50G	
Black POM, surface mounted to top of panel	
Accessories 50 SCT	
Soft Close Kit	



No. 53
DOUBLE SILL



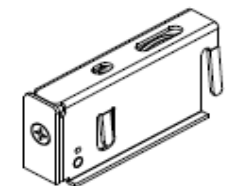
No. 55
DOUBLE HEAD GUIDE



No. 56
SILL COVER



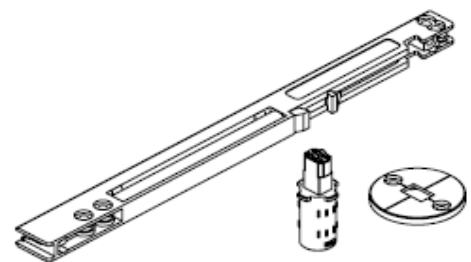
No. 50G
GUIDE



No. 50WR
WARDROBE 50
ROLLER



No. 53C
SILL COVER
CLIP



No. 50SCT
SOFT CLOSE KIT

PANEL SPECIFICATIONS

Rail System: For Individual Panels:	Wardrobe Roll 50
Max Panel Weight	50kg
Max Panel Width	920mm
Panel Thickness	30 – 40mm
Door Type	Hollow Core
Door Finish	Flush Panel, Grooved, Veneer

*Suitable for use with lightly constructed timber framed panels of flush or grooved construction.
Bottom rail of door panel must have provision to accommodate rollers.

JAMB TYPES:

Jamb offers a range of design options to suit various architectural and functional preferences. Two primary choices include grooved jambs, architrave jambs.

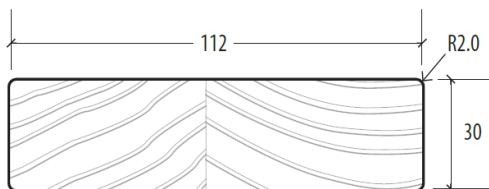
The standards for grooved jambs are 90mm stud and 10mm gib. The standards for architrave jambs is 112mm or 116mm.

Custom jambs are available on request.

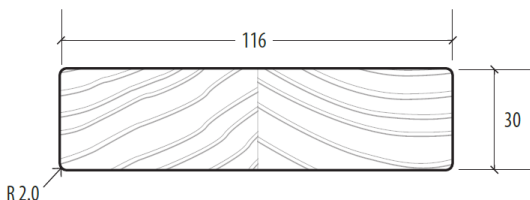
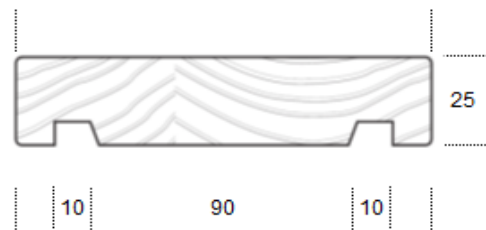
[Product Technical Statement](#)

[Environmental Product Declaration](#)

Architrave



Grooved



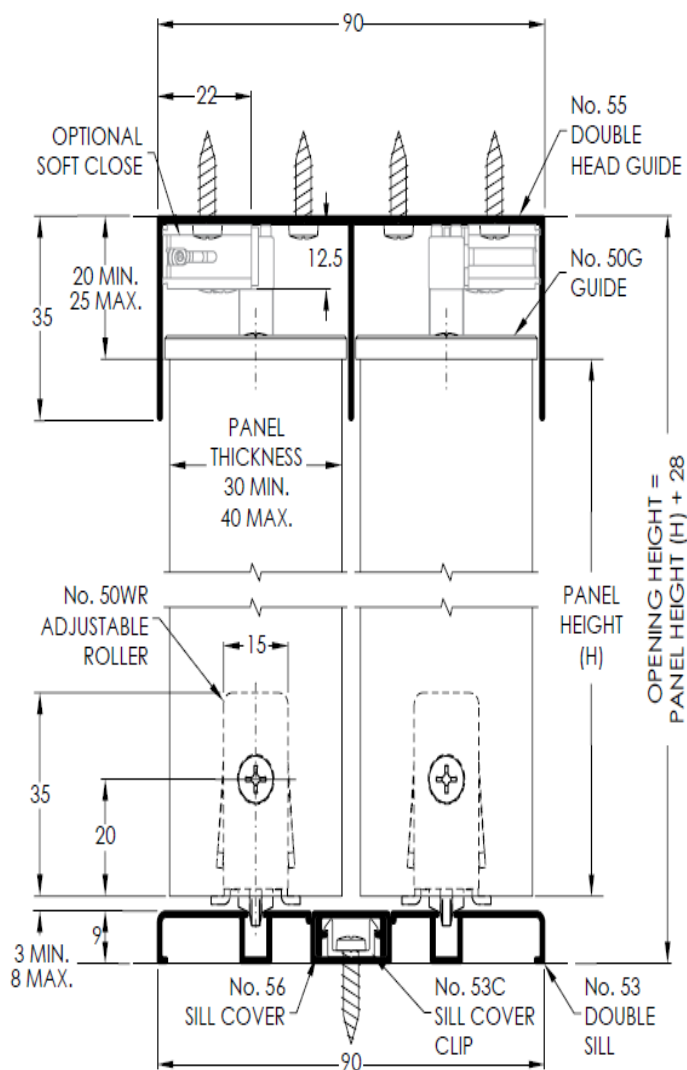
SUPPORTING EVIDENCE:

Independent Doors 2022 Ltd have provided Brio Wardrobe Sliders in Commercial, residential, and institutional projects in New Zealand since 1994.

CONTRIBUTIONS TO COMPLIANCE:

- All doors conform to and are to be installed as per [NZAUS3604](#) regulations.

INSTALLATION INSTRUCTIONS:



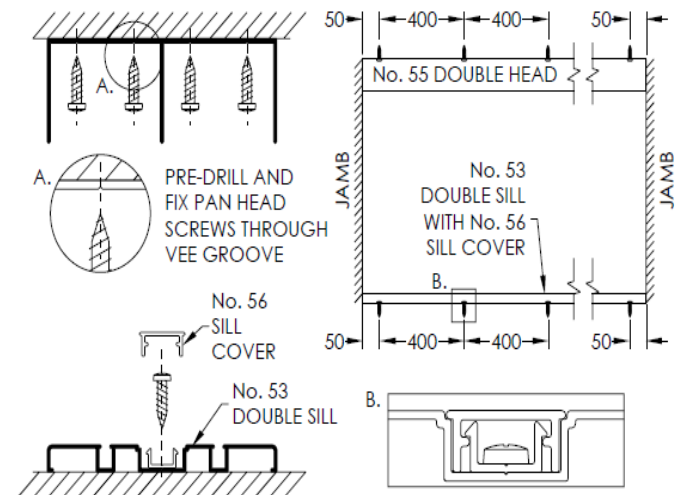
INSTALLATION INSTRUCTIONS

1 Fit Channel and Track

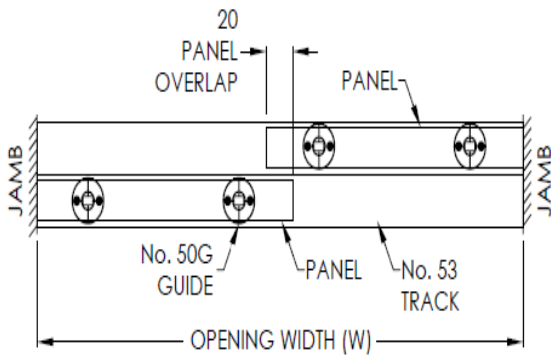
The opening must be finished with suitable jambs or linings and the floor must be level prior to installation of the tracks

Channel length = Opening width
Track length = Opening width

Fix No. 55 double head (50mm in from each end and at 400mm centres) ensuring that it is aligned & parallel to the No. 53 double sill. #6x19 pan head screws fix through No. 53C sill cover clips. Clean away any debris in the track before fitting No. 56 sill cover.



2 PANEL CONFIGURATION



Fixing of No. 55 double head differs if using optional soft close. Information is provided with soft close installation



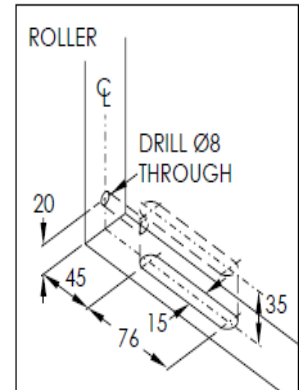
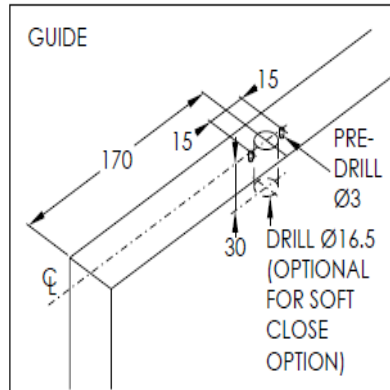
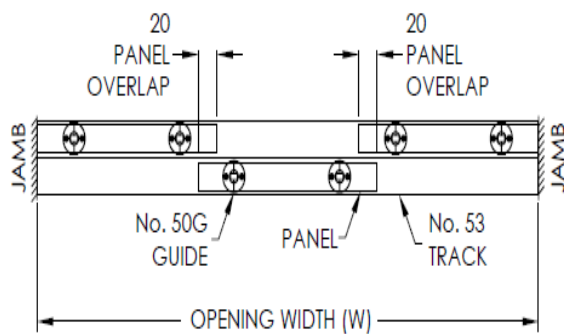
2 Prepare Panels

Panel height = Opening height - 28mm

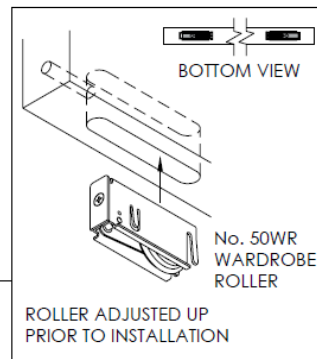
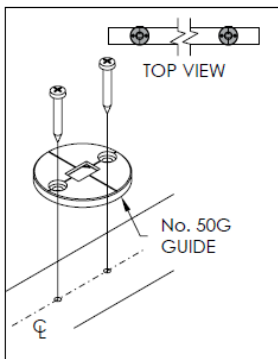
2 panel: Panel width = (Opening width / No. of panels) + 10mm (overlap)

3 panel: Panel width = (Opening width - 3 / No. panels) + 15mm (overlap)

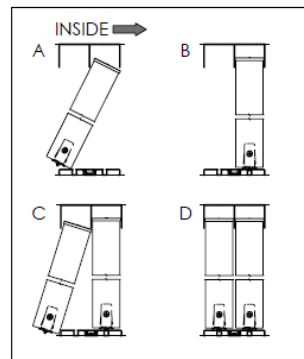
3 PANEL CONFIGURATION



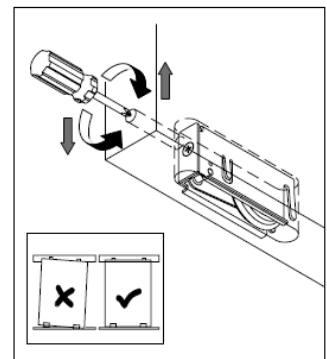
3 Fitting Hardware



4 Fitting Panel



5 Panel Adjustment



ENVIRONMENTAL:

Independent Doors is 100% New Zealand owned and all products are 100% New Zealand made. Independent Doors operates a zero-waste policy with all metal offcuts and waste recycled. Timber components are made from pine from sustainable resources.